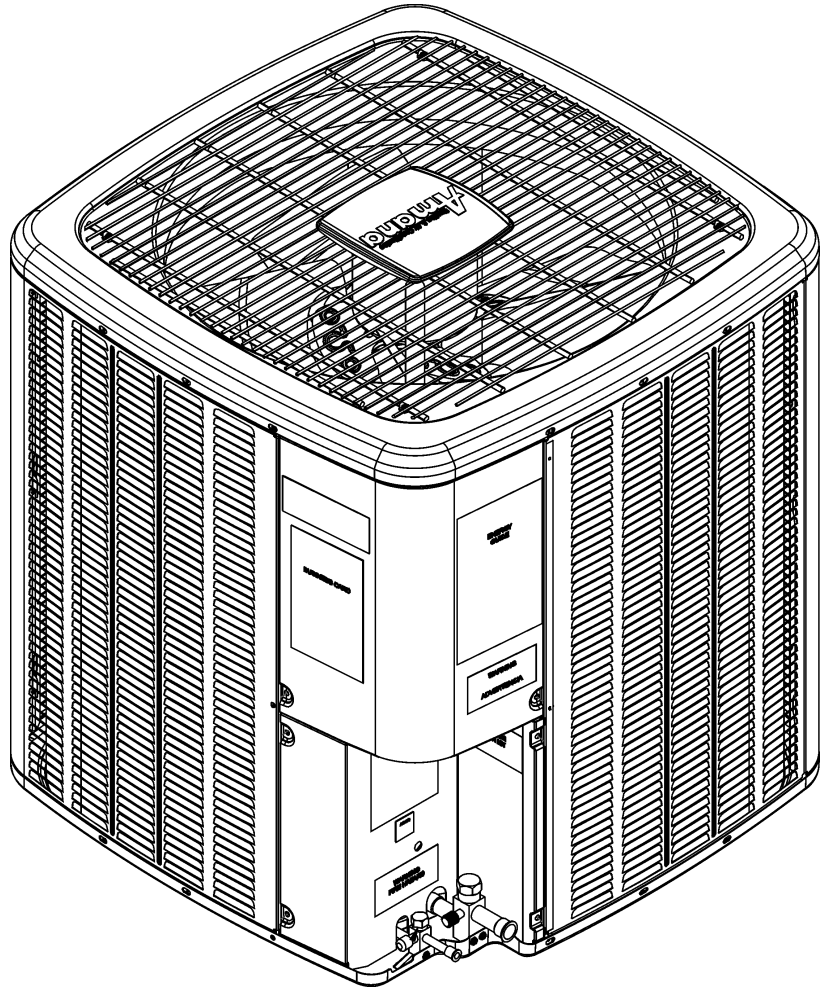


## ASZC16 / 18 SEER Remote Heat Pump

ASZC160241AF  
ASZC160361AF  
ASZC160481AF  
ASZC160601BD  
ASZC180361AE  
ASZC180481AE  
ASZC180601BC



Amana® is a registered trademark of Maytag Corporation or its related companies and is used under license. All rights reserved.

This manual is to be used by qualified technicians only.

This manual replaces RP-889.

© 2014 , 2017 Goodman Company, L.P. ♦ 5151 San Felipe St, Suite 500 ♦ Houston, TX 77056

# Important Information

---

## Index

Functional Parts List .....	3
Illustration and Parts .....	4 - 9

*Views shown are for parts illustrations only, not servicing procedures*

### Text Codes:

AR - As Required

NA - Not Available

NS - Not Shown

00000000 - See Note

QTY - Quantity Example (QTY 3) (If Quantity not shown, Quantity = 1)

M - Model Example (M1) (If M Code not shown, then part is used on all Models)

### Expanded Model Nomenclature:

Example M1 - Model#1 M2 - Model#2 M3 - Model#3
---

Goodman Company, L.P. is not responsible for personal injury or property damage resulting from improper service. Review all service information before beginning repairs.

Warranty service must be performed by an authorized technician, using authorized factory parts. If service is required after the warranty expires, Goodman Company, L.P. also recommends contacting an authorized technician and using authorized factory parts.

Goodman Company, L.P. reserves the right to discontinue, or change at any time, specifications or designs without notice or without incurring obligations.

For assistance within the U.S.A. contact:

Homeowner Support  
Goodman Company, L.P.  
19001 Kermier Road  
Waller, Texas 77484  
877-254-4729-Telephone  
713-863-2382-Facsimile

For assistance outside the U.S.A. contact:

International Division  
Goodman Company, L.P.  
19001 Kermier Road  
Waller, Texas 77484  
713-861-2500-Telephone  
713-863-2382-Facsimile

# Functional Parts

## Part

## No: Description:

---

0151R00079	BASE VALVE 3/4" (M1)
0151R00078	BASE VALVE 3/8"
0151R00080	BASE VALVE 7/8" (M2, M3, M4, M5, M6, M7)
CAP050300440CS	CAP,5/30MFD/440V/DUAL RD (M3, M6)
CAP050350440CS	CAPACITOR 5/35/440V (M1)
CAP050400440CT	CAPACITOR 5/40/440V/DUAL RD (M2, M4, M5, M7)
ZPS20K5EPFV130	COMP, 20000,208/230 (M1)
ZPS30K5EPFV130	COMP,30000,208/230 (M2, M5)
ZPS40K5EPFV130	COMPRESSOR 41100, 208/230/60/1 (M3, M6)
ZPS49K5EPFV130	COMPRESSOR 49100, 208/230/60/1 (M4, M7)
0130R00003	CUT-OUT SWITCH, HIGH PRESSURE
0130R00002	CUT-OUT SWITCH, LOW PRESSURE
0130M00106	DISC THERMOSTAT CRNKCS HTR SW
11046710	DISC-THERMOSTAT
0131M00761	ECM MOTOR - PROGRAMMED (IGBT) (M5, M6, M7)
0163R00007	HEATER, CRANKCASE 230V, 40W (M3, M4, M6, M7)
0163R00006	HEATER, CRANKCASE 230V, 40W (M1, M2, M5)
0131M00295	MOTOR 1/6 HP 2SP 8PL (M1, M2, M3, M4)
0130M00054	OUTDOOR AIR TEMP SENSOR
0130M00053	OUTDOOR COIL TEMP SENSOR
PCBHR104	PCB, CONTROL BOARD
0151R00071	REVERSING VALVE (M2, M3, M4, M5, M6, M7)
0151R00068	REVERSING VALVE (M1)
0130R00014	SHARED DATA (M6)
0130R00007	SHARED DATA (M1)
0130R00009	SHARED DATA (M2)
0130R00012	SHARED DATA (M3)
0130R00016	SHARED DATA (M4)
0130R00018	SHARED DATA (M7)
0130R00010	SHARED DATA (M5)
B1225022	SOLENOID COIL
B1787000	VALVE CORE
0151M00070	VALVE, TXV R-410A (M1)
0151M00069	VALVE, TXV R-410A (M2, M5)
0151M00068	VALVE, TXV R-410A (M3, M4, M6, M7)

### SPECIAL PARTS

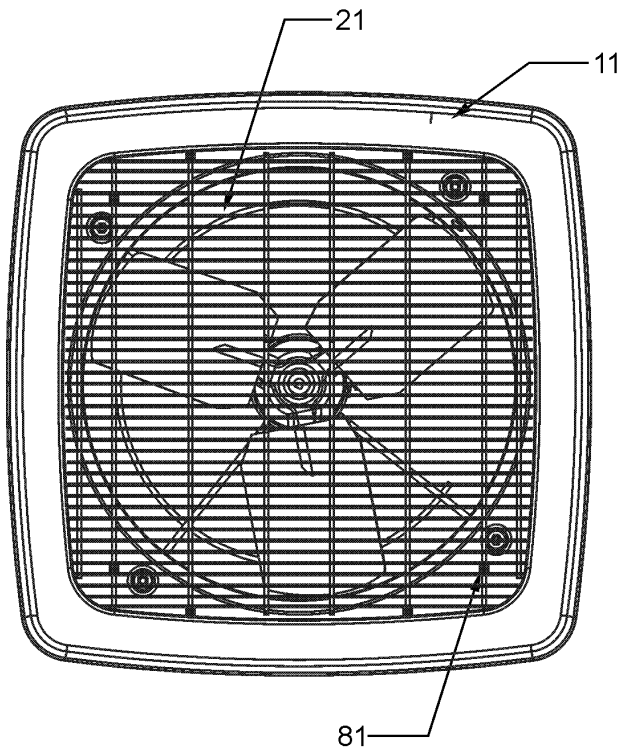
0161R00008P	AMANA LOGO CAP
0161R00010P	AMANA NAMEPLATE

### Expanded Model Nomenclature

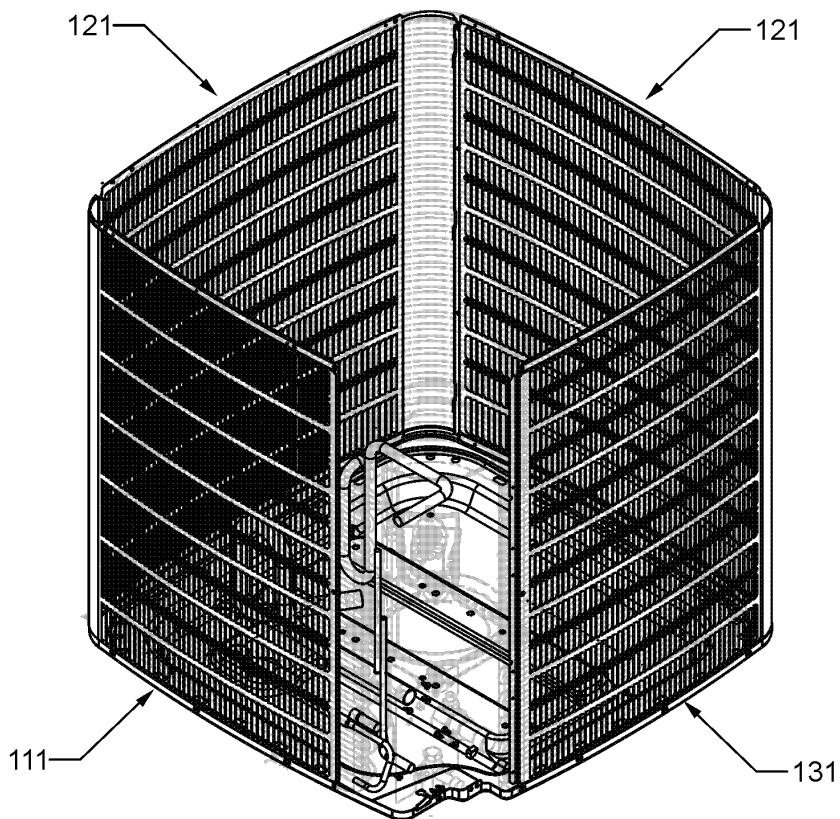
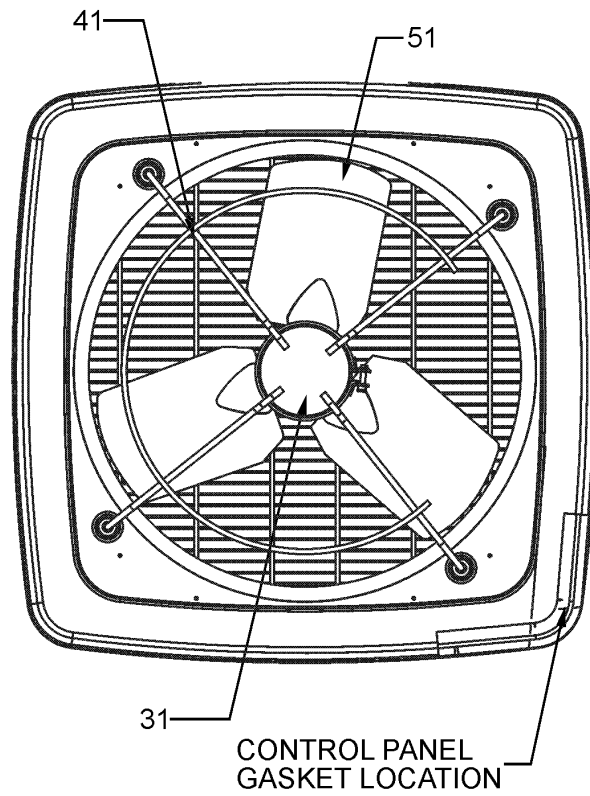
M1 - ASZC160241AF
M2 - ASZC160361AF
M3 - ASZC160481AF
M4 - ASZC160601BD
M5 - ASZC180361AE
M6 - ASZC180481AE
M7 - ASZC180601BC

# Cabinet Top and Side Panel Assembly

TOP VIEW



BOTTOM VIEW



# Cabinet Top and Side Panel Assembly

Ref. Part No:	No:	Description:	Ref. Part No:	No:	Description:
<b>Image 1:</b>					
11	0121R00011PDG	VENTURI TOP PANEL 29" (M1)			
11	0121R00013PDG	VENTURI TOP PANEL 35" (M2, M3, M4, M5, M6, M7)			
21	0152R00015	GRILLE, WIRE 29" TOP (M1)			
21	0152R00016	GRILLE, WIRE 35" TOP (M2, M3, M4, M5, M6, M7)			
31	0131M00761	ECM MOTOR - PROGRAMMED (IGBT) (M5, M6, M7)			
31	0131M00295	MOTOR 1/6 HP 2SP 8PL (M1, M2, M3, M4)			
41	0121R00003	MOTOR MOUNT BRACKET (M5, M6, M7)			
51	10625737	FAN BLADE 22" ALUM CCW (M1)			
51	0150M00010	FAN BLADE 26" ALUM CCW (M5, M6, M7)			
51	10625738	FAN BLADE 26" ALUM CCW (M2, M3, M4)			
81	0163M00003P	SCREW #10 X 1/2, A, SLOT, SR, BLACK (QTY 6)			
111	4400464PLGB	LOUVERED SIDE PANEL [LT OF CNTL PNL] (M2, M3, M4, M5, M6, M7)			
111	4400458PLGB	LOUVERED SIDE PANEL [LT OF CNTL PNL] (M1)			
121	4400460PLGB	LOUVERED SIDE PANEL 29_36 (M1)			
121	4400466PLGB	PANEL 2, BENT LOUVER (M2, M3, M4, M5, M6, M7)			
131	4400462PLG	LOUVERED SIDE PANEL [RT OF CNTL PNL] (M1)			
131	4400468PLG	LOUVERED SIDE PANEL [RT OF CNTL PNL] (M2, M3, M4, M5, M6, M7)			
NS	0161R00008P	AMANA LOGO CAP			
NS	0161R00069	CONDUIT (M1)			
NS	0161R00070	CONDUIT (M2, M3, M4)			
NS	0154R00006	GASKET, CONTROL PANEL			
NS	M0280801	HEX NUT (M1, M2, M3, M4)			
NS	B1393024	LOCK NUT (M5, M6, M7)			

## Expanded Model Nomenclature

M1 - ASZC160241AF
M2 - ASZC160361AF
M3 - ASZC160481AF
M4 - ASZC160601BD
M5 - ASZC180361AE
M6 - ASZC180481AE
M7 - ASZC180601BC

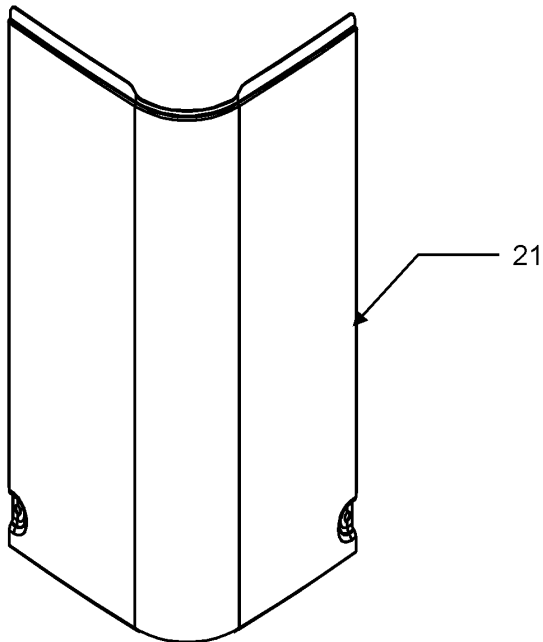
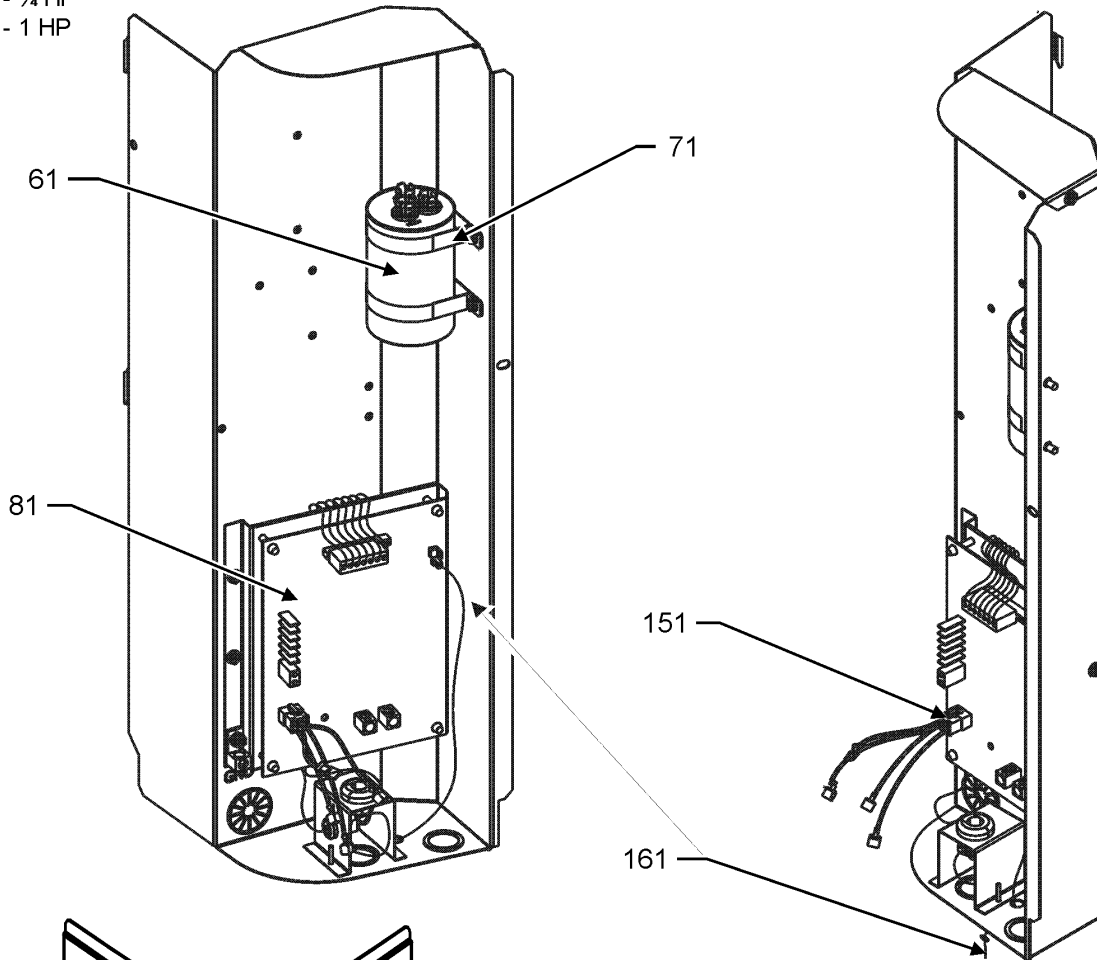
# Control Panel Assembly

\*If end bells are needed please order the following:

0131M00182 - 1/2 HP

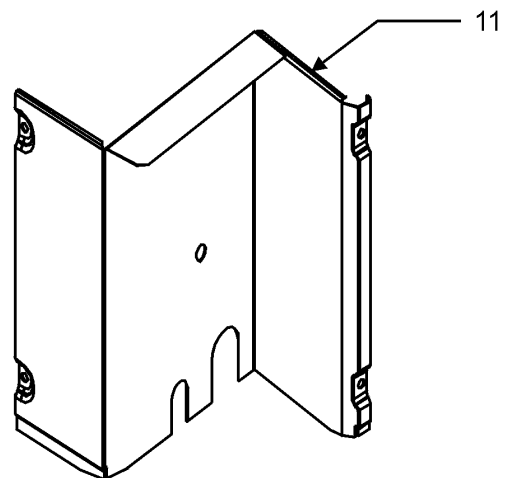
0131M00183 - 3/4 HP

0131M00184 - 1 HP



UPPER ACCESS PANEL

CONTROL PANEL  
SIDE VIEW



LOWER ACCESS PANEL

# Control Panel Assembly

Ref. Part No:	Description:	Ref. Part No:	Description:
---------------	--------------	---------------	--------------

**Image 1:**

11	0121R00317	LOWER ACCESS PANEL
21	0121R00054PDG	CONTROL COVER
61	CAP050300440CS	CAP.5/30MFD/440V/DUAL RD (M3, M6)
61	CAP050350440CS	CAPACITOR 5/35/440V (M1)
61	CAP050400440CT	CAPACITOR 5/40/440V/DUAL RD (M2, M4, M5, M7)
71	0121R00213	CAPACITOR STRAP (QTY 2)
81	PCBHR104	PCB, CONTROL BOARD
151	0159R00011	WIRE ASSEMBLY, ECM MOTOR (M5, M6, M7)
151	0159R00010	WIRE ASSEMBLY, PSC MOTOR (M1, M2, M3, M4)
161	0130M00054	OUTDOOR AIR TEMP SENSOR
NS	0161R00010P	AMANA NAMEPLATE
NS	0130R00007	SHARED DATA (M1)
NS	0130R00009	SHARED DATA (M2)
NS	0130R00010	SHARED DATA (M5)
NS	0130R00012	SHARED DATA (M3)
NS	0130R00014	SHARED DATA (M6)
NS	0130R00016	SHARED DATA (M4)
NS	0130R00018	SHARED DATA (M7)

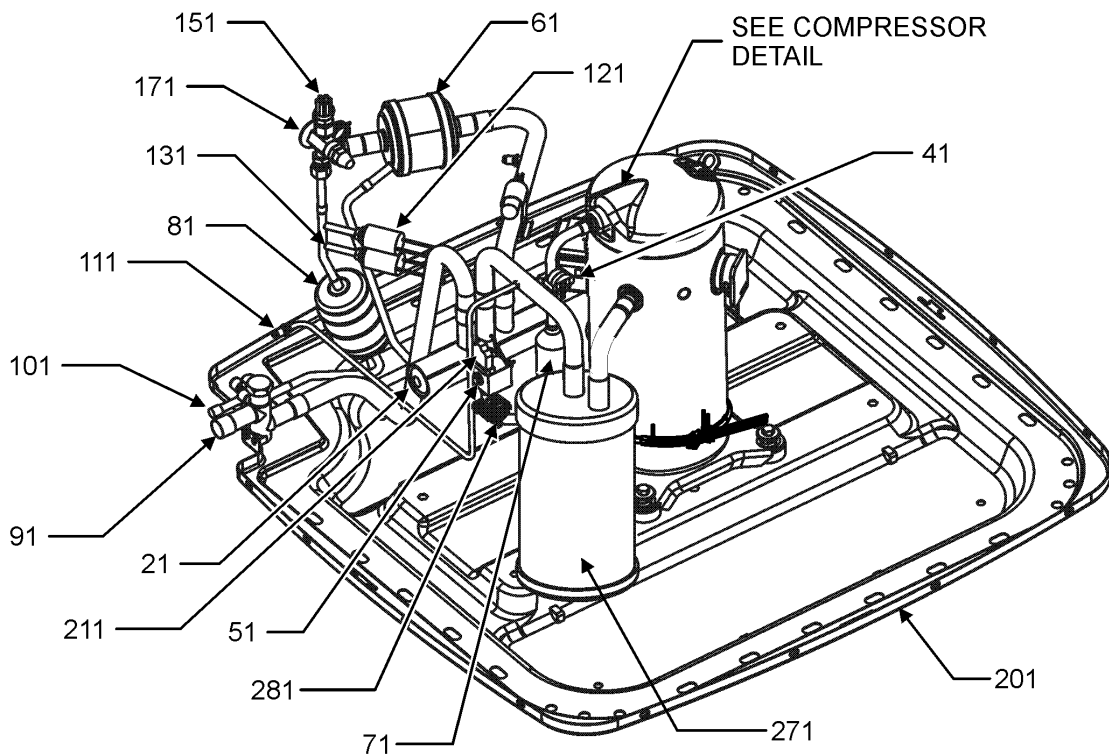
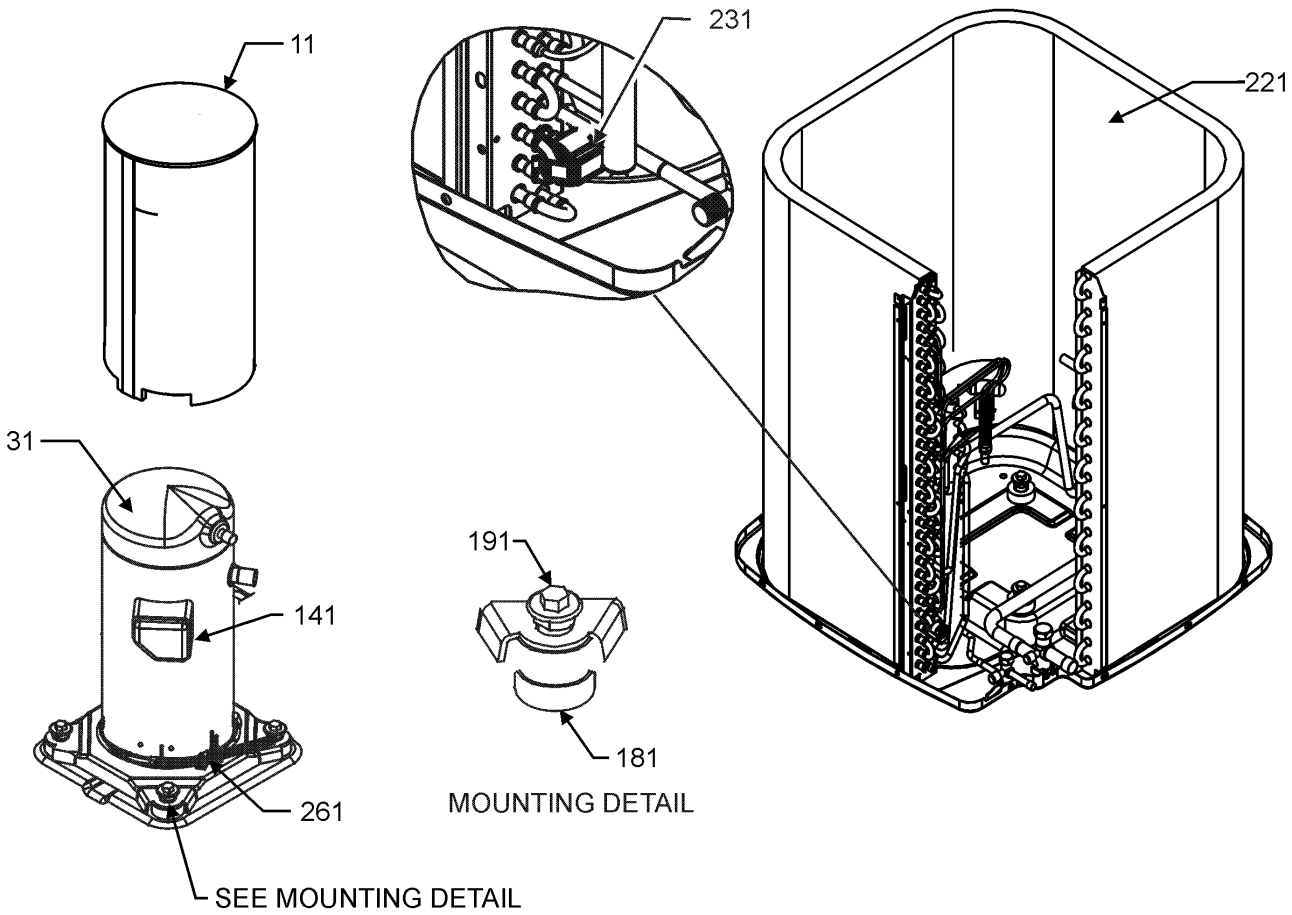
**Expanded Model Nomenclature**

- M1 - ASZC160241AF
- M2 - ASZC160361AF
- M3 - ASZC160481AF
- M4 - ASZC160601BD
- M5 - ASZC180361AE
- M6 - ASZC180481AE
- M7 - ASZC180601BC

\*If end bells are needed please order the following:

- 0131M00182 - 1/2 HP
- 0131M00183 - 3/4 HP
- 0131M00184 - 1 HP

# Compressor and Tubing Assembly



# Compressor and Tubing Assembly

Ref. Part No:	Ref. Part No:	Description:	Description:
<b>Image 1:</b>			
11	B1488806	COMPRESSOR SOUND BLANKET (M3, M4, M6, M7)	
11	B1488810	COMPRESSOR SOUND BLANKET (M1, M2, M5)	
21	0151R00068	REVERSING VALVE (M1)	
21	0151R00071	REVERSING VALVE (M2, M3, M4, M5, M6, M7)	
31	ZPS20K5EPFV130	COMP, 20000,208/230 (M1)	
31	ZPS30K5EPFV130	COMP,30000,208/230 (M2, M5)	
31	ZPS40K5EPFV130	COMPRESSOR 41100, 208/230/60/1 (M3, M6)	
31	ZPS49K5EPFV130	COMPRESSOR 49100, 208/230/60/1 (M4, M7)	
41	11046710	DISC-THERMOSTAT	
51	B1225022	SOLENOID COIL	
61	20270812	COMPENSATOR (M3, M4, M5, M6, M7)	
61	0151R00005	COMPENSATOR 16 OZ (M2)	
61	0151R00006	COMPENSATOR 3.5 (M1)	
71	0162R00007	MUFFLER 1/2 X 1/2	
81	20485201	BI-FLOW FILTER DRIER	
91	0151R00079	BASE VALVE 3/4" (M1)	
91	0151R00080	BASE VALVE 7/8" (M2, M3, M4, M5, M6, M7)	
101	0151R00078	BASE VALVE 3/8"	
111	B1787000	VALVE CORE	
121	0130R00003	CUT-OUT SWITCH, HIGH PRESSURE	
131	0130R00002	CUT-OUT SWITCH, LOW PRESSURE	
141	0130M00005P	WIRE HARNESS, COMPRESSOR SOLENOID	
171	0151M00068	VALVE, TXV R-410A (M3, M4, M6, M7)	
171	0151M00069	VALVE, TXV R-410A (M2, M5)	
171	0151M00070	VALVE, TXV R-410A (M1)	
181	0164M00018	COMPRESSOR GROMMET (M5, M6, M7)	
181	B1339533	COMPRESSOR GROMMET (M1, M2, M3, M4)	
191	M0221641	TF SHOULDER SCREW (QTY 4)	
201	0121R00006PDG	BASE PAN 29" (M1)	
201	0121R00007PDG	BASE PAN 35" (M2, M3, M4, M5, M6, M7)	
211	0130M00084	SOLENOID HARNESS W/1/4" TERM	
221	0201R00341	TUBING ASSY, COND COIL (M3, M4, M6, M7)	
221	0201R00346	TUBING ASSY, COND COIL (M1)	
221	0201R00347	TUBING ASSY, COND COIL (M2)	
221	0201R00348	TUBING ASSY, COND COIL (M5)	
231	0130M00053	OUTDOOR COIL TEMP SENSOR	
261	0163R00006	HEATER, CRANKCASE 230V, 40W (M1, M2, M5)	
261	0163R00007	HEATER, CRANKCASE 230V, 40W (M3, M4, M6, M7)	
271	0151L00008	ACCUMULATOR (M1)	
271	0151L00009	ACCUMULATOR (M2, M5)	
271	0151L00010	ACCUMULATOR (M3, M4, M6, M7)	
281	0130M00106	DISC THERMOSTAT CRNKCS HTR SW	
NS	0163M00087	ACCESS FITTING	
NS	B1373305	ACCESS FITTING	
NS	0163M00175	CAP WITH O-RING	
NS	B1796633	TEFLON O-RING (QTY 2)	

## Expanded Model Nomenclature

M1 - ASZC160241AF
M2 - ASZC160361AF
M3 - ASZC160481AF
M4 - ASZC160601BD
M5 - ASZC180361AE
M6 - ASZC180481AE
M7 - ASZC180601BC